



# PD6830

## Pulse Input Rate/Totalizer



- **Pulse, Open Collector, NPN, PNP, TTL, Switch Contact, Sine Wave (Coil), Square Wave, Opto-Isolated Inputs**
- **Explosion-Proof, IP68, NEMA 4X Enclosure**
- **5-Digit 0.7" (17.8 mm) Top Display for Rate or Total**
- **7 Alphanumeric Character 0.4" (10.2 mm) Lower Display for Rate, Total, Grand Total, Units, and Tag**
- **13-Digit Totalizer with Total Overflow Feature**
- **Isolated 4-20 mA Output for Rate, Total, or Grand Total**
- **Battery, DC, or Output Loop-Powered Models**
- **Automatic Rate, Total, and Grand Total Unit Conversions**
- **Password Protection**
- **Backlight Standard on All Models**
- **Flanges for Wall or Pipe Mounting**
- **Operates from -40 to 75°C**

## Overview

The new PD6830 Explosion-Proof Rate/Totalizer brings modern design, easy readability, and enhanced functionality to hazardous areas around the world in a way never seen before. Operators want a meter that looks nice so they can be proud to install it in their facility. They want a meter with a display that provides the important information about their process, can be seen under various lighting conditions, from wide angles, and from a distance.

The PD6830 delivers all this and more.

## 4-20 mA Feature

### Pulse to 4-20 mA Retransmission

Use the analog output to retransmit the pulse input signal in the commonly used 4-20 mA form. This feature is available on the PD6830's -APA, -BMA, -BTA, -CTB, and -DTB models.

The 4-20 mA output can be scaled to represent all, or part, of the actual input span.

## 4-20 mA Transmitter Output

**Output Source:** Rate/process, total, grand total, or disabled.

**Scaling Range:** 4.000 to 20.000 mA for any display range.

**Calibration:** Factory calibrated: 0.0 to 1000.0 = 4-20 mA output

**Underrange:** 3.8 mA

**Overrange:** Display: 20.5 mA, Output: 20.5 mA

**Accuracy:**  $\pm 0.05\%$  span  $\pm 0.004$  mA

**Temperature Drift:** 0.8  $\mu\text{A}/^\circ\text{C}$  max from  $-40$  to  $75^\circ\text{C}$  ambient

**External Loop Power Supply:** 30 VDC maximum

**Output Loop Resistance:** 24 VDC, 10-750  $\Omega$ ; 30 VDC 100-1100  $\Omega$

Note: loop-powered backlight subtracts 150  $\Omega$  from maximum resistance figures above.

## Product Ratings & Approvals

**FM:** Explosion-proof for use in Class I, Division 1, Groups B, C, D. Class II, Division 1, Groups E, F, G. Class III, Division 1; T6. Class I, Zone 1, AEx d IIC T6 Gb. Zone 21, AEx tb IIIC T85°C. Ta =  $-40$  to  $75^\circ\text{C}$ . Enclosure: Type 4X & IP66.

**ATEX:** II 2 G D. Ex d IIC T6 Gb. Ex tb IIIC T85°C Db IP68.

Ta =  $-40$  to  $75^\circ\text{C}$ .

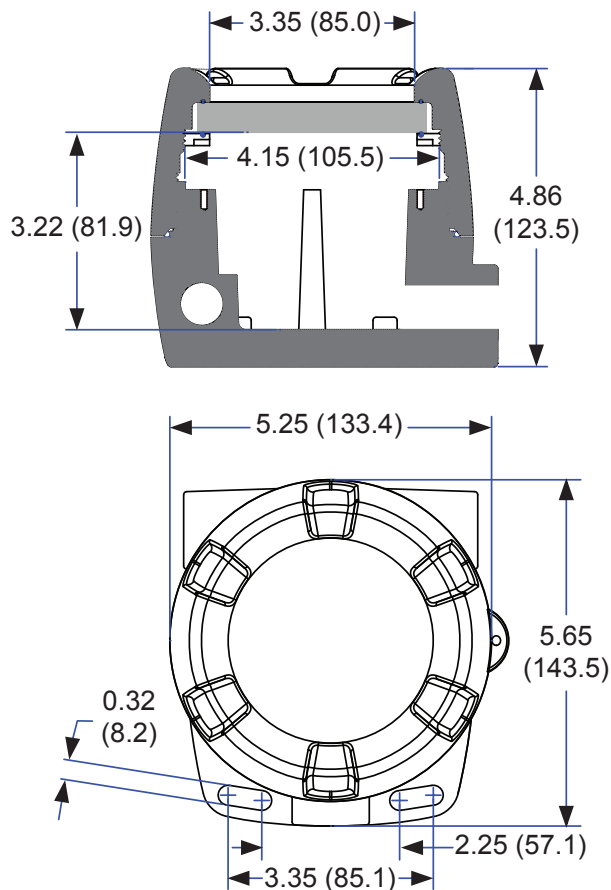
**IECEX:** Ex d IIC T6 Gb. Ex tb IIIC T85°C Db IP68.

Ta =  $-40$  to  $75^\circ\text{C}$

**CSA:** Class I, Division 1, Groups B, C, D. Class II, Division 1, Groups E, F, G. Class III, Division 1; T6. Class I, Zone 1, Ex d IIC T6. Ta =  $-40$  to  $75^\circ\text{C}$ . Enclosure: Type 4X & IP66.

## Dimensions

Units: Inch (mm)



1310 Emerald Road  
Greenwood, SC 29646  
USA  
Phone: 1.800.833.3357  
Fax: 1.864.223.0341



**RED SEAL  
MEASUREMENT**

