



# Neptune 4D-MD

LPG Dispenser  
with E:Count LT Electronic Register

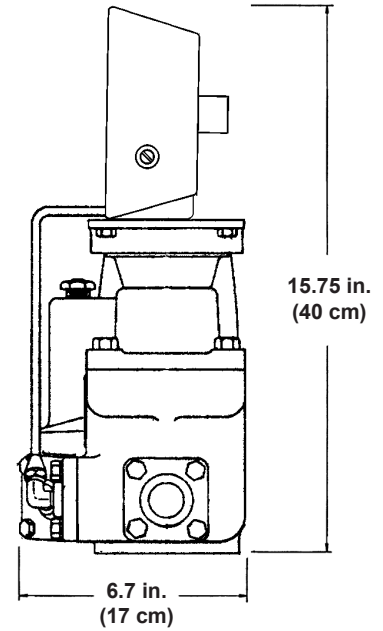
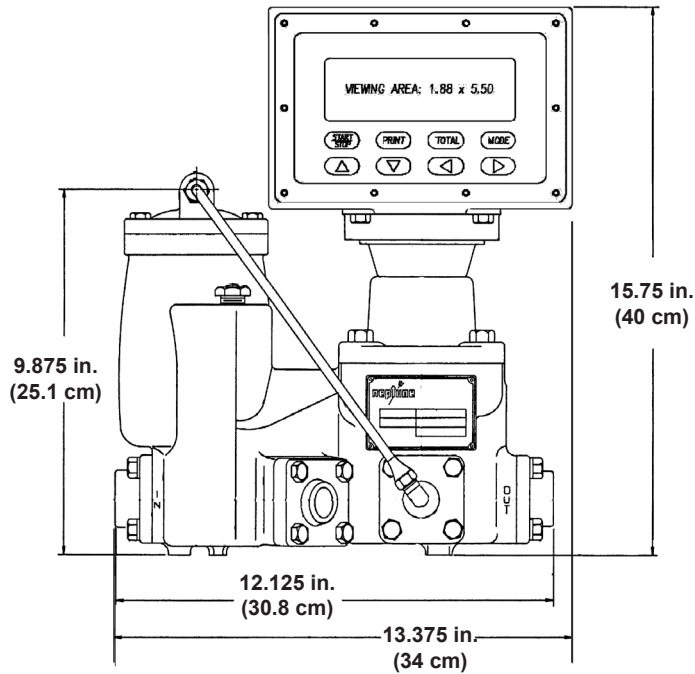


**A Versatile, High Performance Solution For Dispensing LPG**  
**Electronic Temperature Compensation • Pulse Input & Output**  
**Direct Retrofit for Mechanical Registers • Ticket Printing**  
**Local or Remote Mounting • Pump and Valve Control**  
**NEMA 4 Enclosure • Serial Communication • Backlit Display**

Electronic registration improves the accuracy and efficiency of LPG dispensing operations. Easy to install and operate, electronic registers replacing hundreds of moving parts with an accurate, reliable solid-state counter that requires little maintenance. Automatic electronic calibration eliminates the need for change gears. Electronic temperature compensation ensures accurate delivery and inventory reconciliation in any environment.

The 1" 4D-MD meter is ideal for dispensing LPG into portable containers. The Neptune double-case oscillating piston design is the industry standard for accuracy and durability. The standard unit includes the base meter with a differential control valve, combination vapor eliminator/strainer, continuous bleed pressure relief valve, and tubing kit. The piston is treated with a special coating which protects it from damage by impurities and ensures smooth performance at low flows and high pressure.

## Dimensions



## System Specifications

Size: 13.375 x 15.75 x 6.7 in. (34 x 40 x 17 cm)

Flow Rate: 3 to 18 gpm (11 to 68 lpm)

Operating Pressure: 15 to 350 psi (1 to 24 bars)

Meter Temperature Range: -10 to 140°F (-23 to 60°C)

Register Temperature Range: -40 to 140°F (-40 to 60°C)

Register Power Requirements

Operating Voltage: 10-30 VDC unregulated (110V for intrinsically safe version)

Operating Current: 275 mA plus 1mA for each activated relay

Approved by UL for safety and by the National Conference on Weights and Measures for custody transfer of LPG per NIST/NTEP Handbook 44.

(4D-MD cert# 02-047; E:Count LT cert. # 06-031).

1310 Emerald Road  
Greenwood, SC 29646  
USA  
Phone: 1.800.833.3357  
Fax: 1.864.223.0341

