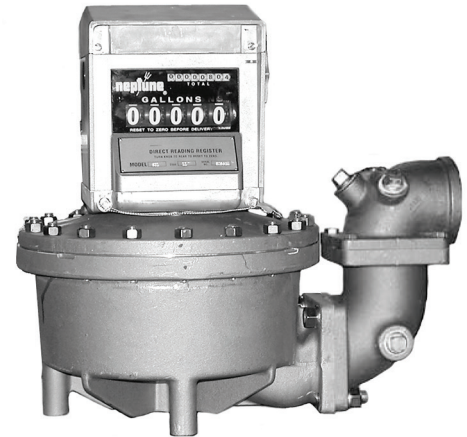




neptune

TYPE 40

3" FLOWMETER



3" Type 40 with 800 Series Register

DESCRIPTION

Red Seal 3" bulk plant flowmeters are superb instruments for metering petroleum products from large tanks where head loss must be kept to a minimum.

The 3" Type 40 flowmeter is available with a gooseneck outlet connection to prevent draining the flowmeter. To fit many piping arrangements, the inlet can be changed from left to right and the gooseneck can face several positions for each inlet setting. This adaptability saves piping, creates a neater arrangement, and is ideal for dual metering.

FLOW RATE

50 to 350 gpm (190 to 1325 lpm) NCWM
60 to 300 gpm (227 to 1,135 lpm) Measurement Canada

TEMPERATURE

140°F (60°C) maximum.

OPERATING PRESSURE

125 psi (8.62 bar) maximum.

DIRECTION OF FLOW

Standard assembly has inlet at rear, outlet to right.

CONNECTIONS

Inlet-flanged. Furnished with companion flange tapped for 3" standard pipe. Outlet - 3" female pipe for gooseneck or

3" ANSI flange for auto stop valve.

UNITS OF MEASURE

Calibration in US gallons, but Imperial gallons and liters can be provided on order where mechanism permits.

RESET WHEEL CAPACITY

99,999 direct reading

PRINTING WHEEL CAPACITY

99,999 direct reading

TOTALIZER CAPACITY

99,999,999

MATERIALS

Casing - heat-treated aluminum.
Interior mechanism - corrosion-resistant metals.

ACCESSORIES

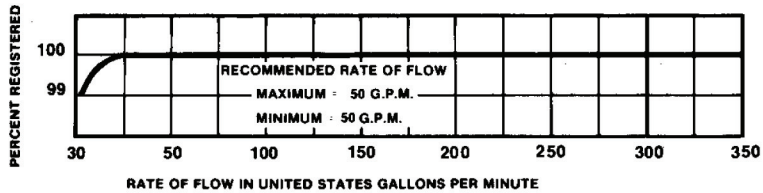
Valve and Pulser are available with the 3" RP meter.

E4000 Register:

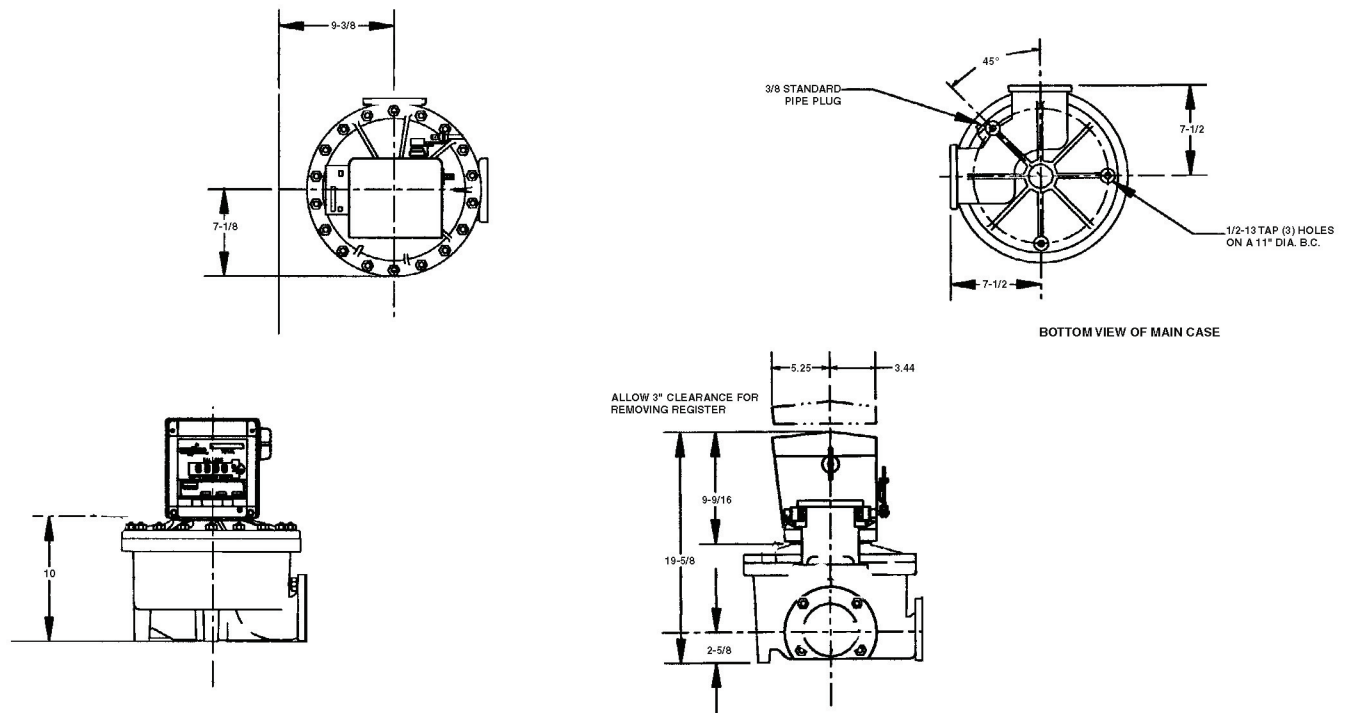
- Ticket Printing
- Security Valve
- Totalizer
- Multiple software options
- See Tech Sheet TS-303 for more details.

Part Number	Register Model Number	Type of Register	Units	Weight Lbs. (Kgs.)
RP3-200RL0W30	844	Direct Reading Counter with Double-Trip Preset "Zero-Start" Printer and Totalizer	Liters	138 (63)
RP3-200RL0T00	843	Direct Reading Reset Counter with "Zero-Start" Printer and Totalizer	Liters	124 (56)
RP3-200RD0T00	841	Direct Reading Reset Counter and Totalizer	US Gallons	120 (54)

ACCURACY CURVE



DIMENSIONS (Inches)



1310 Emerald Road
Greenwood, SC 29646
USA
Phone: 1.800.833.3357
Fax: 1.864.223.0341

