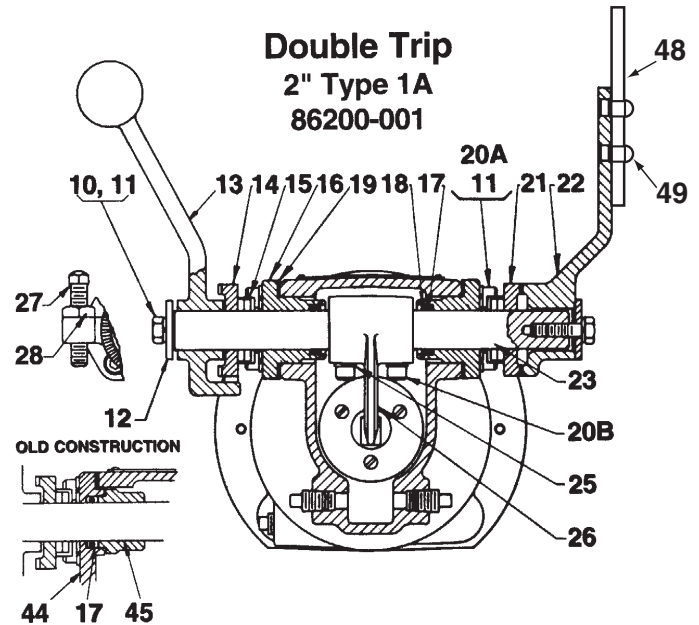
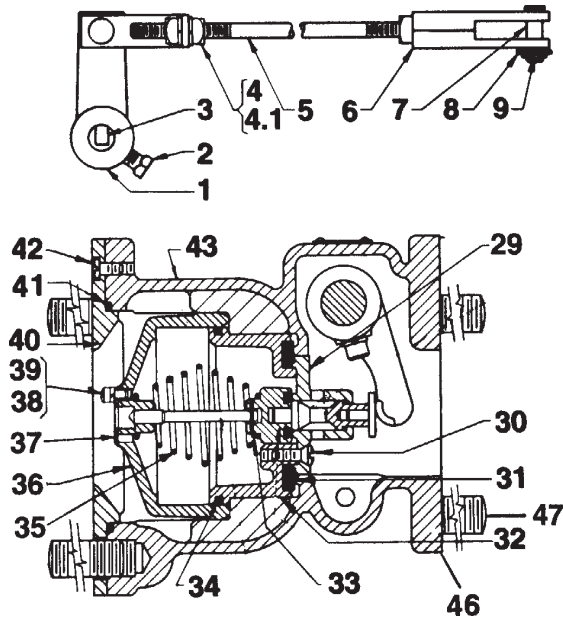


P-405
 Rev. C
 2" Auto Stop Valve
 Stainless Steel – Type 1A SS

RED SEAL MEASUREMENT

Parts List for **neptune** 2" Auto Stop Valve

For: 2" SST & CI MP Meter



Index	Part	Part No.
1	Arm Complete, Connecting Link	084603-000
2	Setscrew, 5/16-18 x 5/8 sq hd st	41546-000
3	Bushing, Connecting Link Arm (knurled)	48858-001
4	Nut, 5/16-18 sq. steel	41545-000
4.1	Lockwasher, 5/16 steel	100121-010
5	Rod, Connecting - 9"	83435-009
5	Rod, Connecting - 10-1/2"	83435-105
5	Rod, Connecting - 12"	83435-012
5	Rod, Connecting - 14"	83435-014
5	Rod, Connecting - 16"	83435-016
6	Clevis, Connecting Rod	83433-000
7	Clevis Pin	83434-000
8	Washer, 5/16 steel	41477-000
9	Cotter Pin, 3/32 dia x 11/16 brass	41640-000
10	Screw, 1/4-20 x 3/4 hex hd steel	83784-000
11	Lockwasher, 1/4 steel	41117-000
12	Washer	40508-000
13	Handle, Operating	83776-000
14	Stop Plate, Handle (left-hand)	83779-000
15	Pin, Operating shaft, 1/4 dia x 1-1/4 (Rollpin)	100370-017
16	Bracket Assy with Teflon O-Ring	84089-004
17	O-ring, Teflon	100234-002
18	Retainer, Truarc	8579-108
19	Gasket, Teflon	83422-002
20A	Screw, 1/4-20 x 3/4 Allen hd st st	83784-000
20B	Screw, 1/4-20 1" Allen hd st st	83783-001
21	Stop Plate, Handle (right-hand)	83778-000

Index	Part	Part No.
22	Arm, Connecting Rod	83997-000
23	Shaft, Operating	83993-002
25	Lockwasher, 1/4	86213-000
26	Cam, Operating	83994-001
27	Screw, Stop, 5/16-18 x 1-1/2 sq hd oval pt	83785-000
28	Nut, Stop, 5/16-18 sq steel	41476-001
—	Piston & Throttling Ring Assem. Standard	86204-000
29	Throttling Ring Assem. with Rod	83984-002
30	Screw, Piston Assembling. 10-32 (special)	600434-001
31	Disc, Valve	86206-000
32	Piston	86205-000
—	Pilot Valve Assembling with Rod Teflon	85012-002
33	Rollpin, 1/16 dia x 1/2	100370-004
34	Ring, Piston	83989-001
35	Spring, Valve	85007-001
36	Cylinder Assembled with Plate	85014-001
37	Plate, Orifice	85015-001
38	Washer, No. 8 stainless	41982-002
39	Screw, 8-32 x 5/16 fil hd	50351-002
40	Ring, Cylinder Retaining	83992-001
41	Gasket, Retaining Ring Teflon O-Ring	100139-017
42	Screw, 10-32 x 3/8 fil hd	733-001
43	Body Assembled	86202-000
44	Note: Parts 44 and 45 have been replaced by part 16.	—
45	Flange Gasket Teflon	42948-011
46	Stud	82678-002
48	Handle Extension	1002578
49	Screw, 5/16 - 18 X 5/8	600022-001

U.S.A./International
1310 Emerald Road
Greenwood, SC 29646
Tel.: Toll-Free (800) 833-3357
(864) 223-1212
Fax: (864) 223-0341

© 2013

Specifications subject to change without prior notification.

RED SEAL
MEASUREMENT