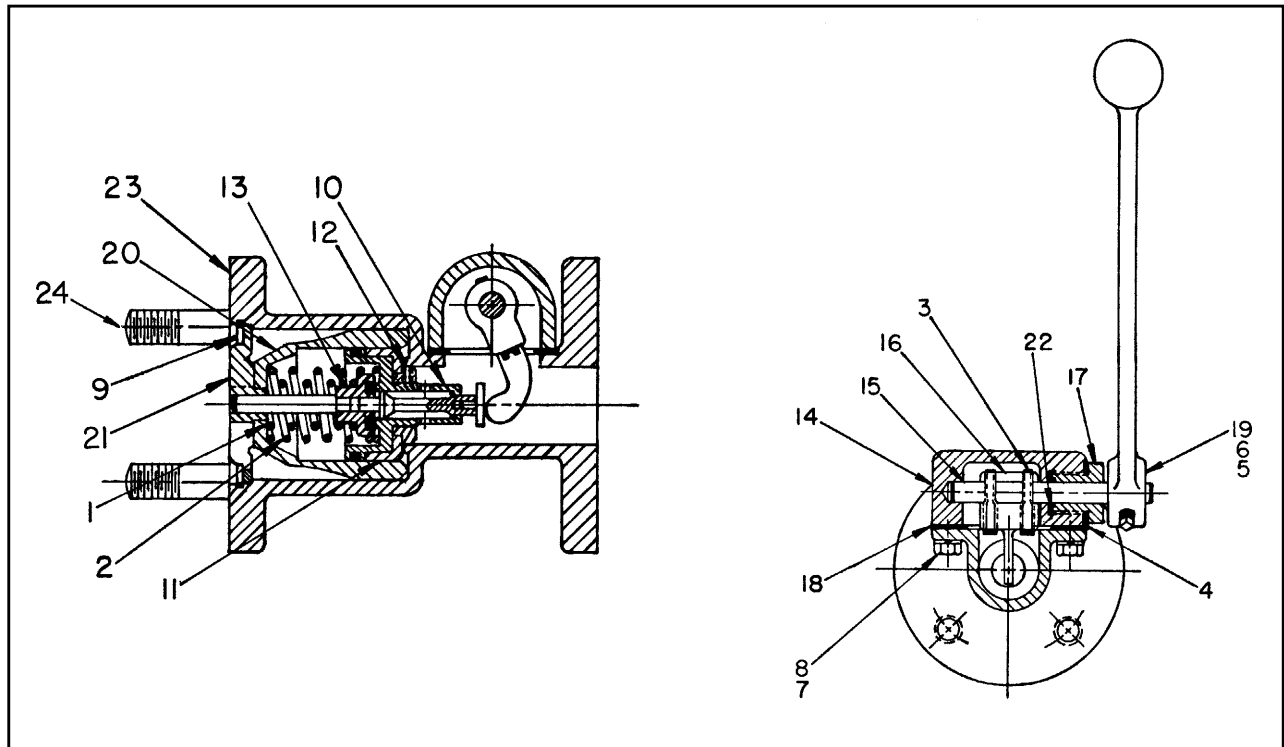


RED SEAL MEASUREMENT

Parts List for ~~neptune~~ 1" Auto Stop Valve



Item	Description	Part Number		Qty.
		Bronze	SST	
1	Compression Spring	8356-004	8356-004	1
2	Compression Spring	8356-005	8356-005	1
3	Slotted Screw	8325-031	8325-031	2
4	Seal Washer	8571-040	8571-040	1
5	Set Screw, 5/16-18	41546-000	41546-000	2
6	Knurled Bushing	48858-001	48858-001	1
7	Cap Screw, 1/4-20 x 5/8	100059-046	100059-046	4
8	Lockwasher, 1/4	100121-039	100121-039	4
9	Clip Wire Formed	100554-001	100554-001	1
10	Piston Complete	100589-003	100589-002	1
11	Gasket, O Ring - Teflon Encap	8316-704	8316-704	1
12	Screw, Hollow Hex 8-32 x 3/16	41861-001	41861-001	1
13	Pilot Valve Complete	100594-001	100594-001	1
14	Valve Cover	100601-002	100601-001	1
15	Shaft, Operating	100602-001	100602-001	1
16	Cam, Operating	100603-002	100603-002	1
17	Seal Plug, Shaft	100604-001	100604-001	1
18	Gasket, Cover	100605-001	100605-001	1
19	Handle, Operating	100606-001	100606-001	1
20	Cylinder Retainer	100721-003	100721-002	1
21	Retainer Assembly	100723-003	100723-002	1
22	Seal, 1/16 x 3/8	100727-001	100727-001	1
23	Body w/Studs	101033-002	101033-001	1
	w/o Studs	100589-003		
24	Studs	042599-002	042599-002	4

U.S.A./International
1310 Emerald Road
Greenwood, SC 29646
Tel.: Toll-Free (800) 833-3357
(864) 223-1212
Fax: (864) 223-0341

© 2013

Specifications subject to change without prior notification.

RED SEAL
MEASUREMENT