



**RED SEAL  
MEASUREMENT**

C-11  
Rev. E



# A World of LP Gas Measurement Solutions



**Technology for the Way You Work**

featuring

**neptune**

meters and registers

[www.redsealmeasurement.com](http://www.redsealmeasurement.com)

# Truck-Mounted Custody Transfer

## Mechanical Measurement & Registration

### Type 4D-MT Truck Flowmeter

What do you look for when choosing the right meter for your business—reliability, accuracy, quality, performance, repeatability and reputation? After all, your bottom line depends on the meter you use. LPG marketers have always trusted Neptune products.

The dual case oscillating piston used in every Neptune model leads the field—in accuracy, repeatability, calibration stability and ease of maintenance—everything that matters in daily operations.

- The industry standard for truck-mounted custody transfer and invoicing
- Oscillating piston with low-friction Nituff® Teflon® impregnated coating for long life
- Register options: E4000 or Series 800 registers
- Removable measuring element for easy maintenance

The Type 4D-MT Oscillating Piston Flowmeter uses proven technology for long, reliable and accurate service life.



## Mechanical Measurement & Electronic Registration

### E4000 Electronic Register

The Neptune E4000 Electronic Register system automates transaction operations for deliveries of LPG.

- Easiest electronic register to own and operate
- Interactive display guides operators through delivery functions—rapid driver acceptance
- Can deliver 10 priced products, invoicing directly from the truck—eliminating handwritten tickets and improving cash flow
- Neptune configuration software rapidly downloads pricing changes from a laptop
- Upgrade capability without additional equipment—go from “pump and print,” to standalone pricing, to integrated mobile computing without additional equipment upgrades
- Preset deliveries with dual-stage valve

The E4000 Electronic Register offers the flexibility to integrate with present and future measurement technology, with a wide spectrum of informational interfacing.



## Electronic Measurement & Registration

### RML2000 Mass Flowmeter

Here's leading edge technology for tank truck operations. Coriolis mass measurement offers additional accuracy that reduces unmeasured product. Reduced losses mean higher profits.

No moving parts are in contact with the fluid, and the measuring unit requires no maintenance. Reduced downtime means your trucks are on the road, making money more of the time.

- Improved accuracy over volumetric flowmeters
- Higher calibration stability compared to mechanical meters results in reduced product losses
- Low maintenance—no moving parts
- Faster deliveries

Coriolis mass flow transaction management has brought a new standard of accuracy to the bobtail.



# Bulk Inventory Management

## Precise Control, From Receiving Through Distribution

### massTrack Inventory Management Software

This tightly integrated system can optimize facility cash flow through timely ordering/purchasing, shorter billing cycles and faster inventory turnover. Managers can track status anytime, from anywhere, through remote monitoring and control capabilities. Measurement of all flows guards against shrinkage. Faster loading operations improve plant productivity.

Neptune Coriolis mass flowmeters measure every liquid-phase flow and vapor return loop. Comprehensive data acquisition and interfacing provides data for processing with the aid of custom software.

- Coriolis mass measurement provides high accuracy regardless of temperature
- Measures mass flow, density, temperature and volume
- PC-based centralized monitoring and control
- Mass balances tracked, daily summaries compiled and stored
- Real-time LPG inventory and location
- Consultancy, design, installation and training



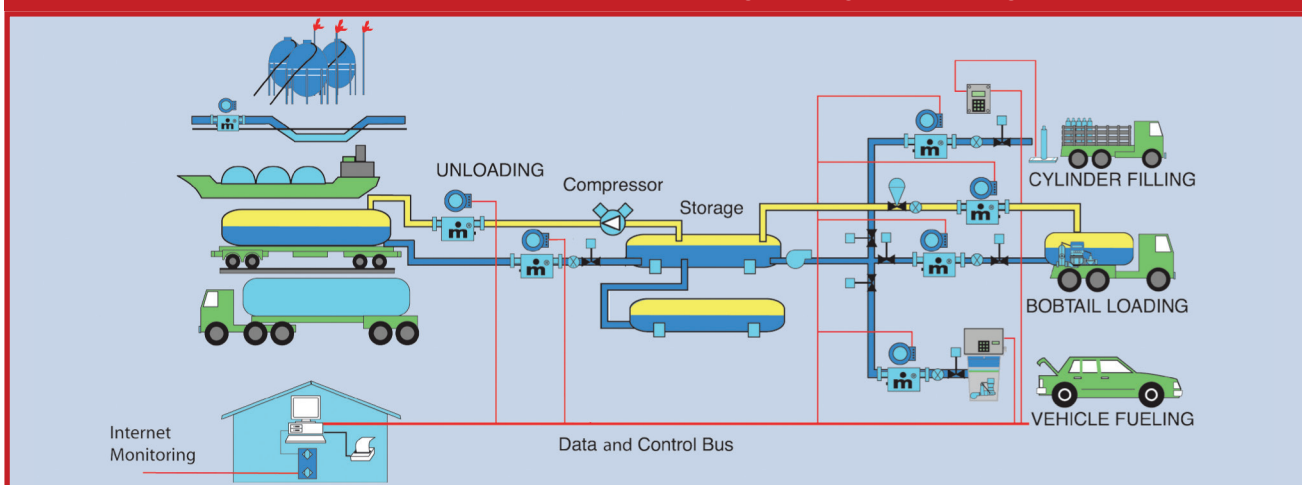
Clear, detailed report pages give information on individual operations or summarize the entire plant.

Date	Operation	Start Time	End Time	Duration	Total Mass	Total Volume	Total Inventory A
12-22-09	Initial	0.00	12:13:43	5960231.487	61890.00	0.00	42000.00
Total				0.00	61890.00	0.00	42000.00
12-22-09	Initial	0.00	12:15:20	5960231.487	61890.00	0.00	42000.00
Total				0.00	61890.00	0.00	42000.00
12-22-09	Initial	0.00	12:17:59	5960231.487	61890.00	0.00	42000.00
Total				0.00	61890.00	0.00	42000.00

Neptune M-Dot Coriolis mass flowmeters measure every fluid and vapor flow.



Measurement of all flows in the terminal guards against shrinkage.



# Cylinder Filling and Auto Fueling

## Type 4D-MD 1" Compact LPG Dispenser Flowmeter

Dispenser manufacturers worldwide specify the Neptune 1" 4D-MD flowmeter. With all components—vapor release, measuring element and differential valve—integrated into a compact, lightweight aluminum body, this unit offers outstanding packaging advantages. This flowmeter offers lasting accuracy and reliability for filling portable bottles.

- Cost-effective alternative to multi-piston designs
- Interfaces with a variety of electronic volume and price indicators
- Long-life piston with Nituff® Teflon® coating
- Removable measuring chamber simplifies maintenance

The 1" Type 4D-MD Oscillating Piston Dispenser flowmeter offers accuracy and reliability in a compact package.



## PL100 LPG Dispenser Pump

Designed specifically for LPG dispensers, the PL100 pump utilizes regenerative turbine technology to provide highly efficient performance. The impeller is the only moving part and has no contact with the casing, resulting in practically no wear, even when pumping volatile, non-lubricating liquids such as LP gas.

- Optional bypass valve
- Remote-mountable switch enclosure
- Easy seal replacement
- Inlet and outlet repositionable in 90° increments

The PL100 pump complements the 4D-MD meter for unmatched performance in LPG dispensing applications.



*Red Seal Measurement — the Experts in LP Gas Measurement Systems*

Red Seal Measurement  
1310 Emerald Road  
Greenwood, SC 29646  
USA  
Phone: 1.800.833.3357  
Fax: 1.864.223.0341



Red Seal Measurement reserves the right to change these specifications without prior notice.